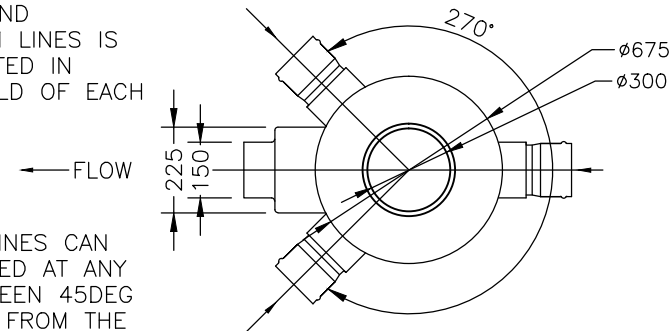


COMPONENTS

ITEM	DESCRIPTION	MATERIAL
A	VERTICAL RISER CAP	PVC
B	ACCESS COVER CLASS 'B' 'C' OR 'D'	VARIOUS
C	DN 300Ø PVC OR DN 315Ø PE RISER SHAFT	VARIOUS
D	VARIOUS FITTINGS AVAILABLE	VARIES
E	MAINTENANCE SHAFT BODY	MDPE (POLYETHYLENE)
F	300-150 PVC OR 315-160 PE DROP JUNCTION	VARIOUS

GRADE AND ANGLE OF UPSTREAM AND DOWNSTREAM LINES IS ACCOMMODATED IN CUSTOM BUILD OF EACH UNIT

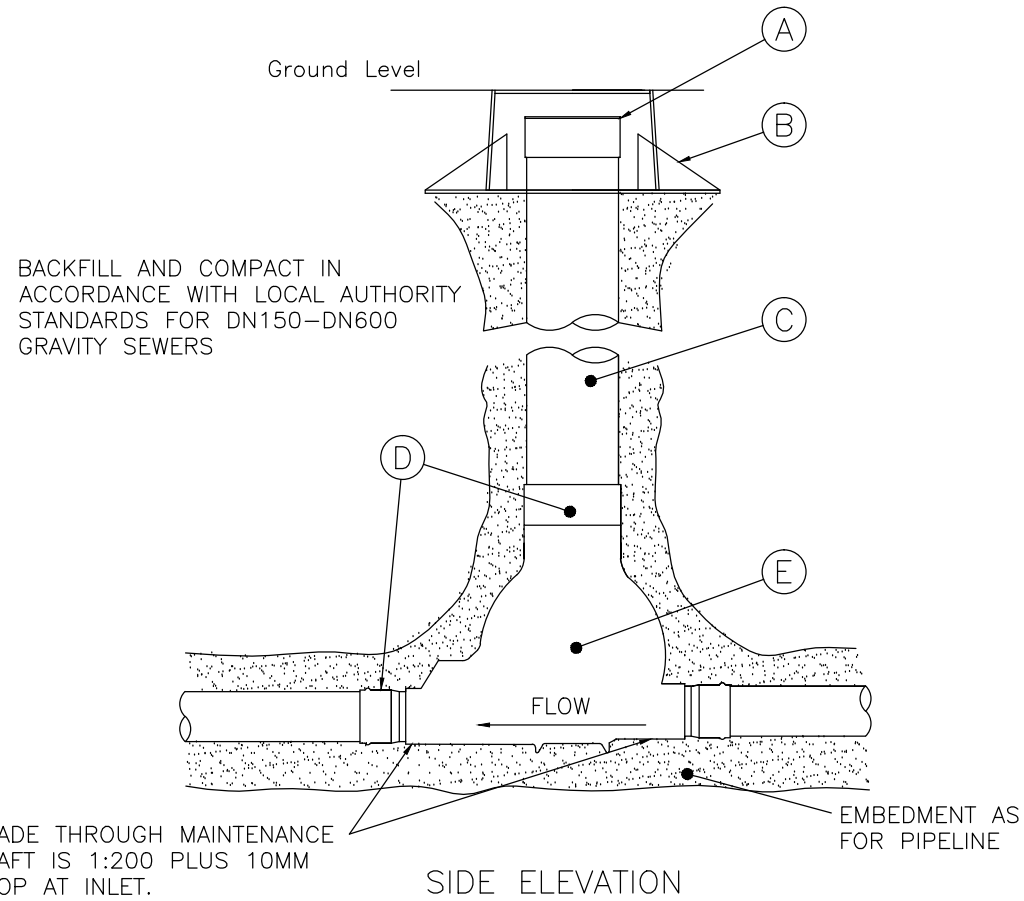


PLAN VIEW
(SHOWS RANGE OF UPSTREAM ANGLE)

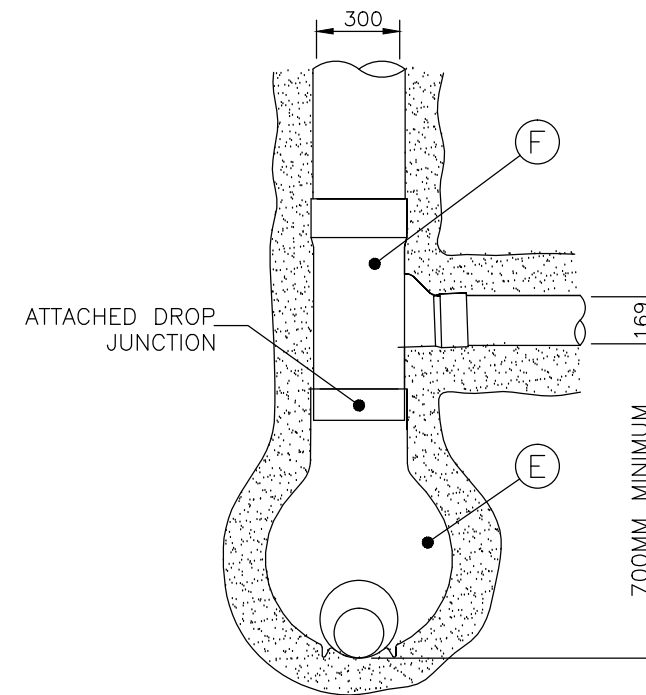
UPSTREAM LINES CAN BE POSITIONED AT ANY ANGLE BETWEEN 45DEG & 315 DEG FROM THE DOWNSTREAM FOR 150Ø LINES (SHOWN), AND BETWEEN 65DEG & 295DEG FOR 225Ø LINES

GENERAL NOTES

1. ALL DIMENSIONS IN MM
2. MAINTENANCE SHAFTS CAN ACCOMMODATE MOST CONNECTION TYPES FOR 100 - 250MM PIPE, REFER TO MANUFACTURER FOR DETAILS.
3. BACKFILL AND COMPACTION IN ACCORDANCE WITH LOCAL AUTHORITY INSTRUCTIONS FOR DN150-DN600 GRAVITY SEWERS
4. CONTRACTOR TO SUPPLY PIPE FROM MAINTENANCE SHAFT TO VERTICAL RISER CAP.
5. CLEARANCE BETWEEN THE VERTICAL RISER CAP AND THE UNDERNEATH OF THE COVER SHOULD BE 150MM



SIDE ELEVATION



FRONT ELEVATION
(WITH DROP JUNCTION)

ISSUE	DATE	REVISION	DRN	CHKD
A	28/11/16	ORIGINAL ISSUE	SF	BK

SMARTSTREAM TECHNOLOGY
This drawing is the property of SmartStream Technology and shall not be copied without permission.

DO NOT SCALE FROM DRAWING

 SCALE: DIAGRAMMATIC

DRAWN BY: SF
 CHECKED BY: BK
 DATE: 28/11/16
 DATE: 28/11/16
 ALL DIMENSIONS ARE IN MILLIMETERS

**TYPE 8 MAINTENANCE SHAFT (POO-PIT)
 300MM RISER SHAFT
 GENERAL INSTALLATION**
 DRAWING REF: SST-00007-A
 SHEET: 1 OF 1
 ISSUE: A

ORIGINAL SHEET SIZE
A3