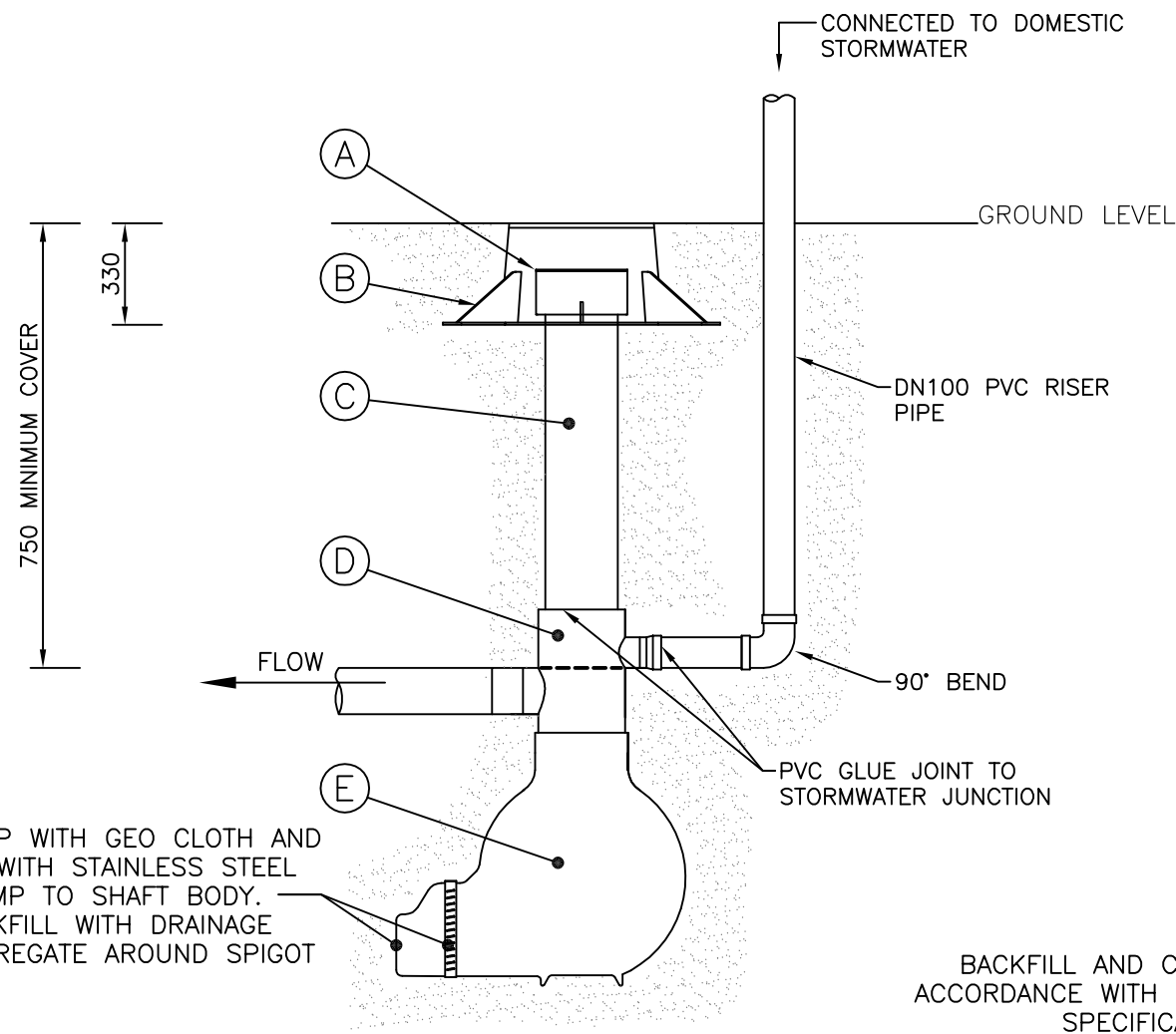


TOP VIEW

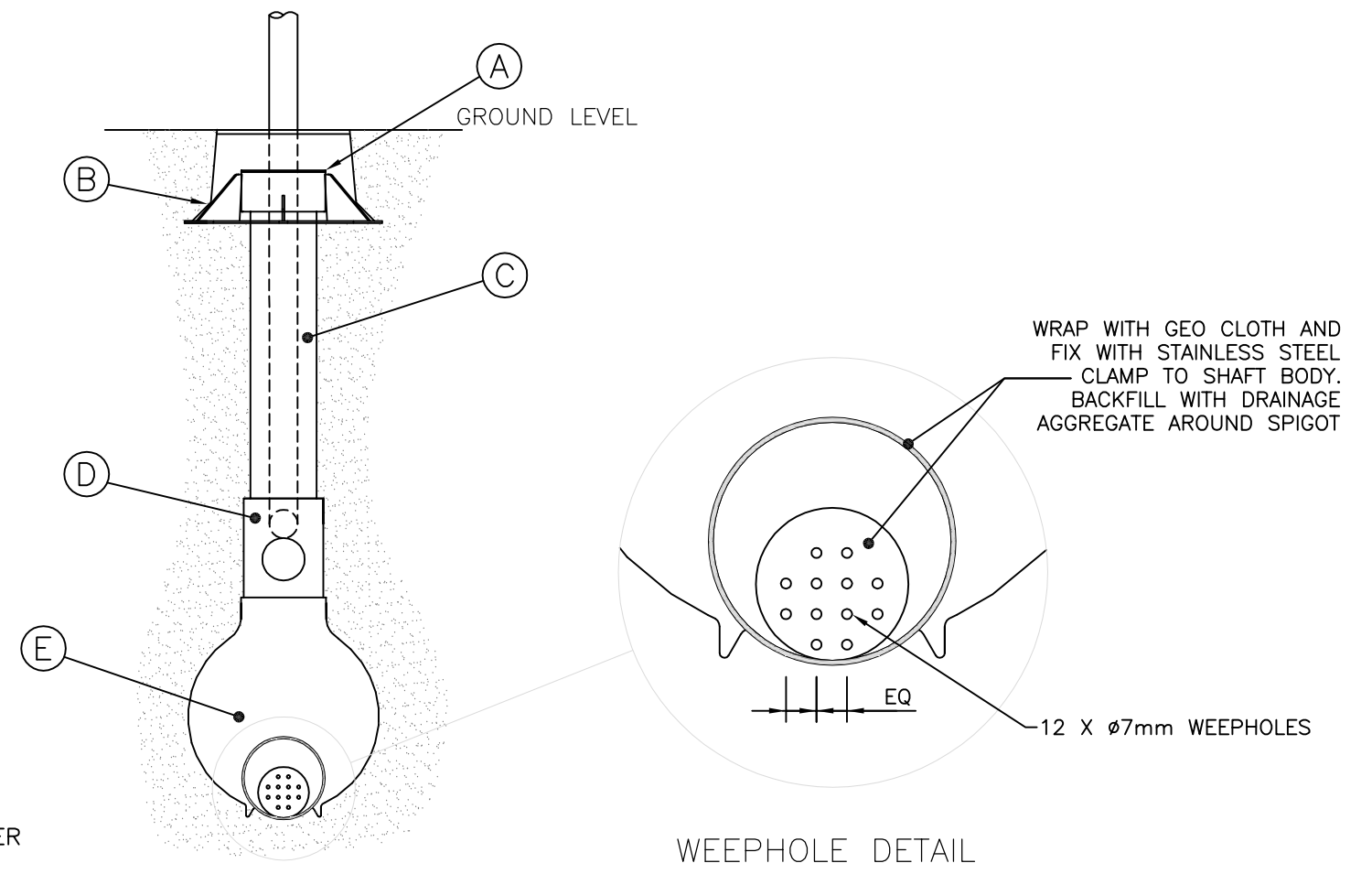
ITEM	DESCRIPTION	MATERIAL
A	VERTICAL RISER CAP	PVC
B	ACCESS COVER CLASS 'B' AND 'D'	VARIOUS
C	RISER SHAFT – DN 225 ϕ	PVC
D	STORMWATER JUNCTION	PVC/COMPOSITE
E	MAINTENANCE SHAFT BODY	MDPE (POLYETHYLENE)

GENERAL NOTES:

1. ALL DIMENSIONS IN mm.
2. BACKFILL AND COMPACTION IN ACCORDANCE WITH COS STORMWATER SPECIFICATIONS.
3. CONTRACTOR TO SUPPLY ALL DN100 PVC PIPE AND JOINTS.
4. CLEARANCE BETWEEN THE VERTICAL RISER CAP AND THE UNDERNEATH OF THE COVER SHOULD BE 150mm.
5. PVC LINES, VERTICAL RISER PIPE, AND JUNCTIONS ARE TO BE CONNECTED TO THE STORMWATER JUNCTION USING STANDARD PVC GLUE JOINT.



SIDE VIEW



FRONT VIEW

WEEPHOLE DETAIL

BACKFILL AND COMPACTION IN ACCORDANCE WITH COS STORMWATER SPECIFICATIONS