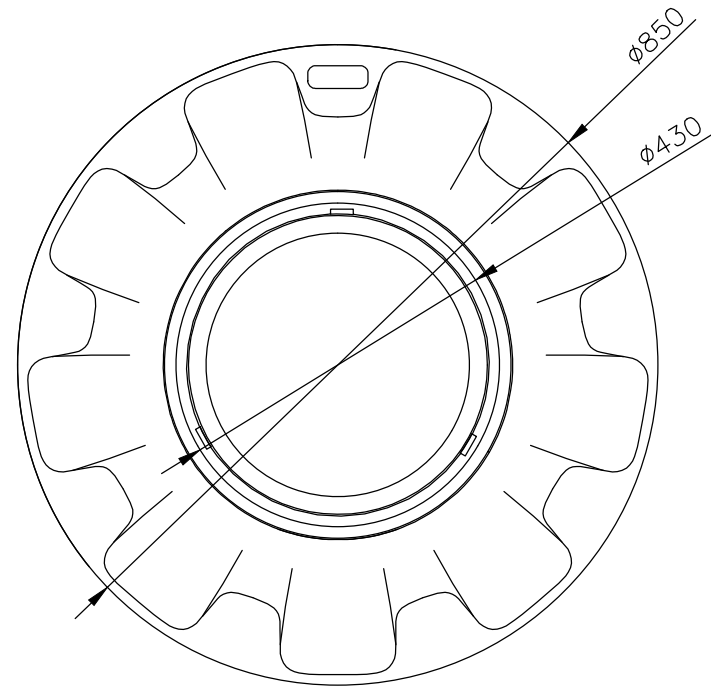
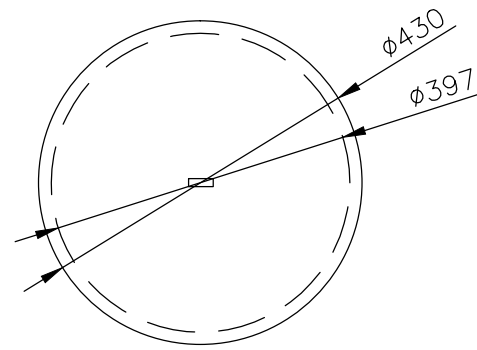


COMPONENTS

ITEM	DESCRIPTION	MATERIAL
A	MAINTENANCE SHAFT COVER FRAME	POLYETHYLENE
B	MAINTENANCE SHAFT COVER LID	POLYETHYLENE
C	DUST CAP	POLYETHYLENE



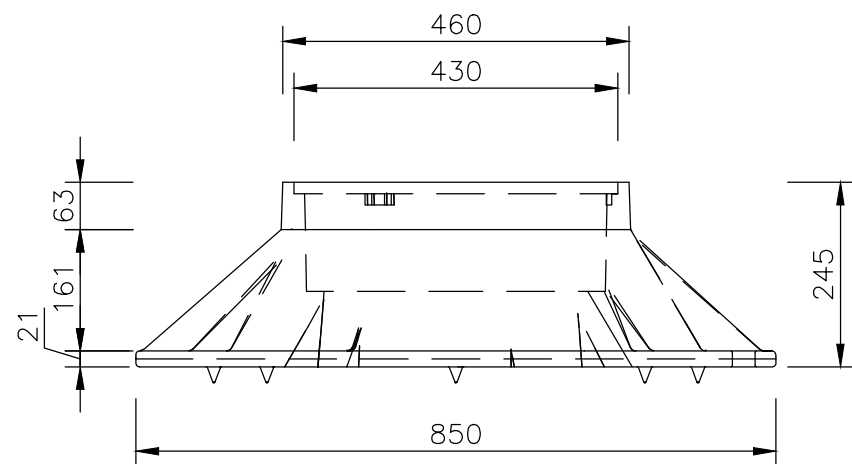
ITEM 'A' TOP VIEW
SCALE 1:10



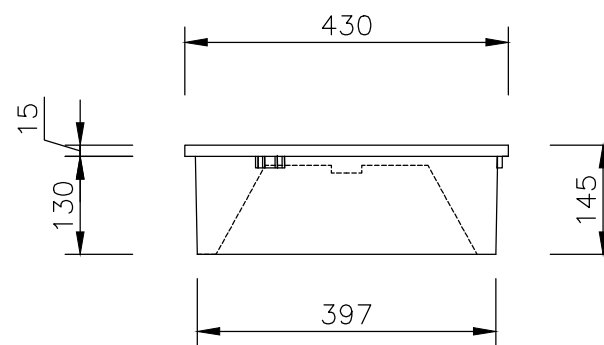
ITEM 'B' TOP VIEW
SCALE 1:10



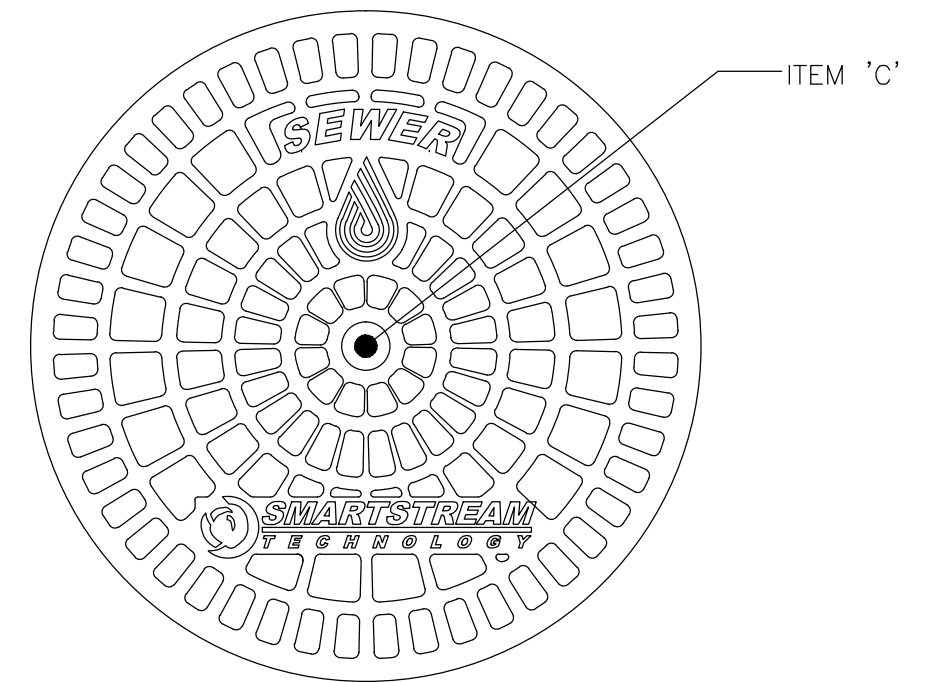
ASSEMBLY PICTORIAL
SCALE - NOT TO SCALE



ITEM 'A' SIDE VIEW
SCALE 1:10



ITEM 'B' SIDE VIEW
SCALE 1:10



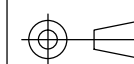
LID MARKINGS
SCALE 1:5

ISSUE	DATE	REVISION	DRN	CHKD
A	20.01.17	REVISED ORIGINAL DRAWING RE- RELEASED AS REV 'A'	SF	BK

SMARTSTREAM TECHNOLOGY

This drawing is the property of SmartStream Technology and shall not be copied without permission.

DO NOT SCALE FROM DRAWING



SCALE: 1/10 UON

DRAWN BY: SF

DATE: 20.01.17

CHECKED BY: BK

DATE: 20.01.17

ALL DIMENSIONS ARE IN MILLIMETERS

POLYETHYLENE MAINTENANCE SHAFT COVER GENERAL ARRANGEMENT

DRAWING REF: SST-00017

SHEET : 1 OF 1

ISSUE : A

ORIGINAL SHEET SIZE

A3