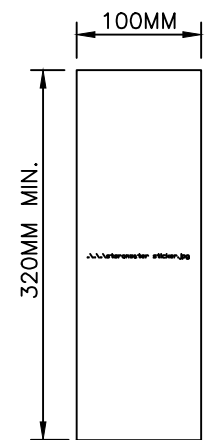


SMARTSTREAM COMPONENTS

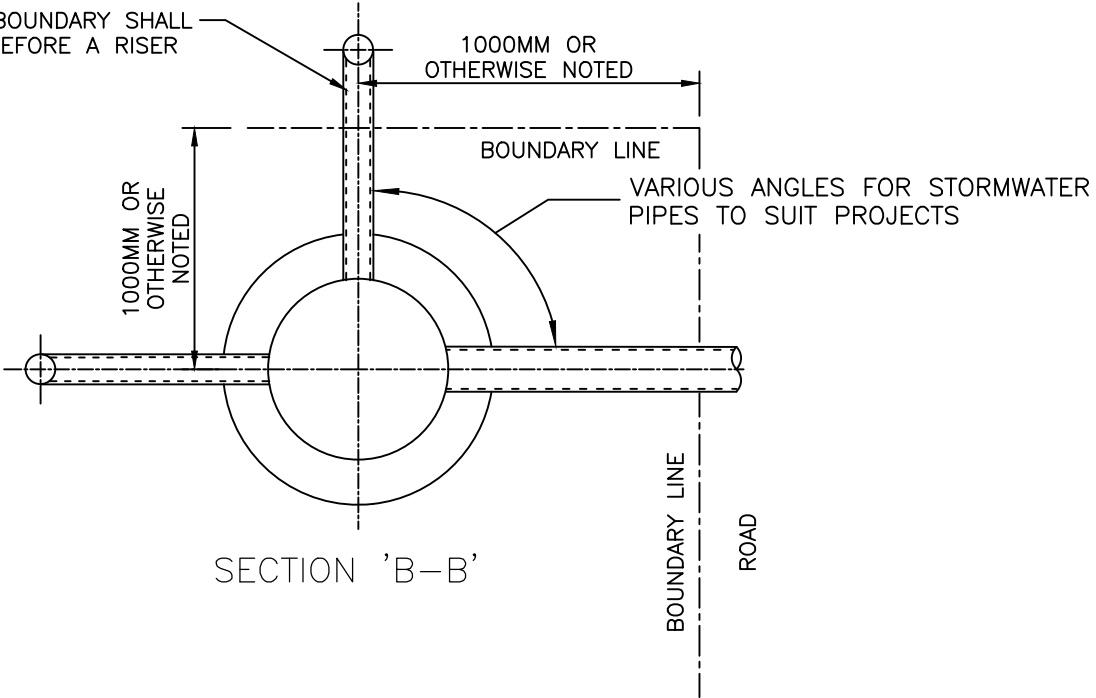
ITEM	DESCRIPTION	MATERIAL
A	VERTICAL RISER CAP	PVC
B	ACCESS COVER CLASS 'B' AND 'D'	VARIOUS
C	RISER SHAFT - DN 225 ϕ	PVC
D	LOT CONNECTION PIT BODY	MDPE (POLYETHYLENE)
E	600/750/900 150 PRO GROMMET	EPDM
F	315/450/525 100 PRO GROMMET	EPDM

- GENERAL NOTES
1. ALL DIMENSIONS IN MM
 2. BACKFILL AND COMPACTION IN ACCORDANCE WITH LOCAL AUTHORITY STANDARDS FOR STORMWATER INFRASTRUCTURE
 3. CONTRACTOR TO SUPPLY ALL DN100 PVC PIPE AND JOINTS.
 4. CLEARANCE BETWEEN THE VERTICAL RISER CAP AND THE UNDERNEATH OF THE COVER SHOULD BE 150MM
 5. PVC LINES, VERTICAL RISER PIPE, AND JUNCTIONS ARE TO BE CONNECTED TO THE STORMWATER JUNCTION USING STANDARD PVC GLUE JOINT
 6. ϕ 150 SPIGOTS SHALL BE PROVIDED FOR LOTS GREATER THAN 1500SQM OR FOR GROUP HOUSING LOTS
 7. TYPE 8 WATER CORP SEWER CHAMBER MAY BE USED FOR INDIVIDUAL LOT CONNECTIONS IN LIEU OF CONCRETE MANHOLE. REFER TO STD 61A

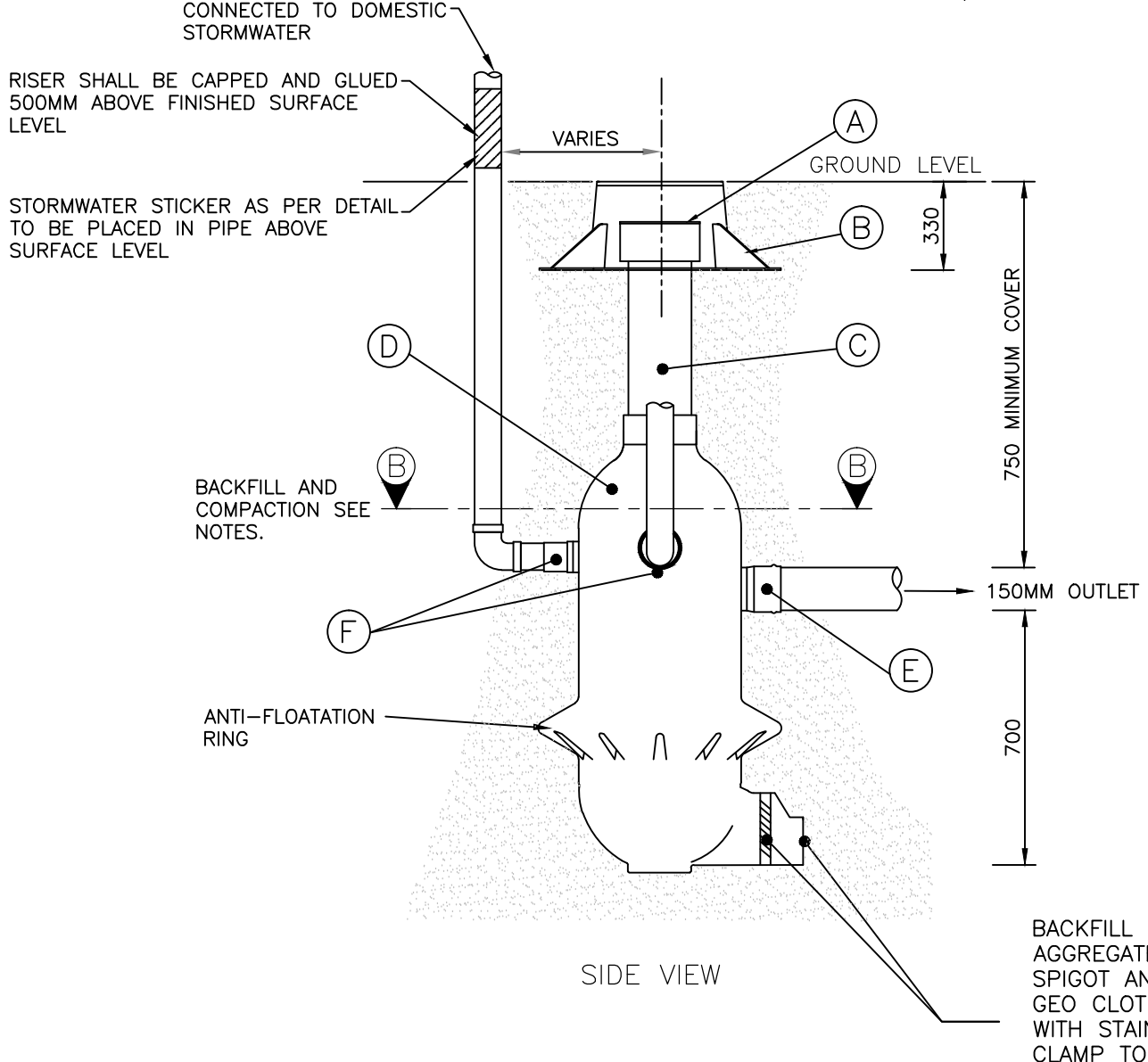
SPIGOTS CROSSING A LOT BOUNDARY SHALL EXTEND 600MM INTO LOT BEFORE A RISER SHAFT IS CONNECTED



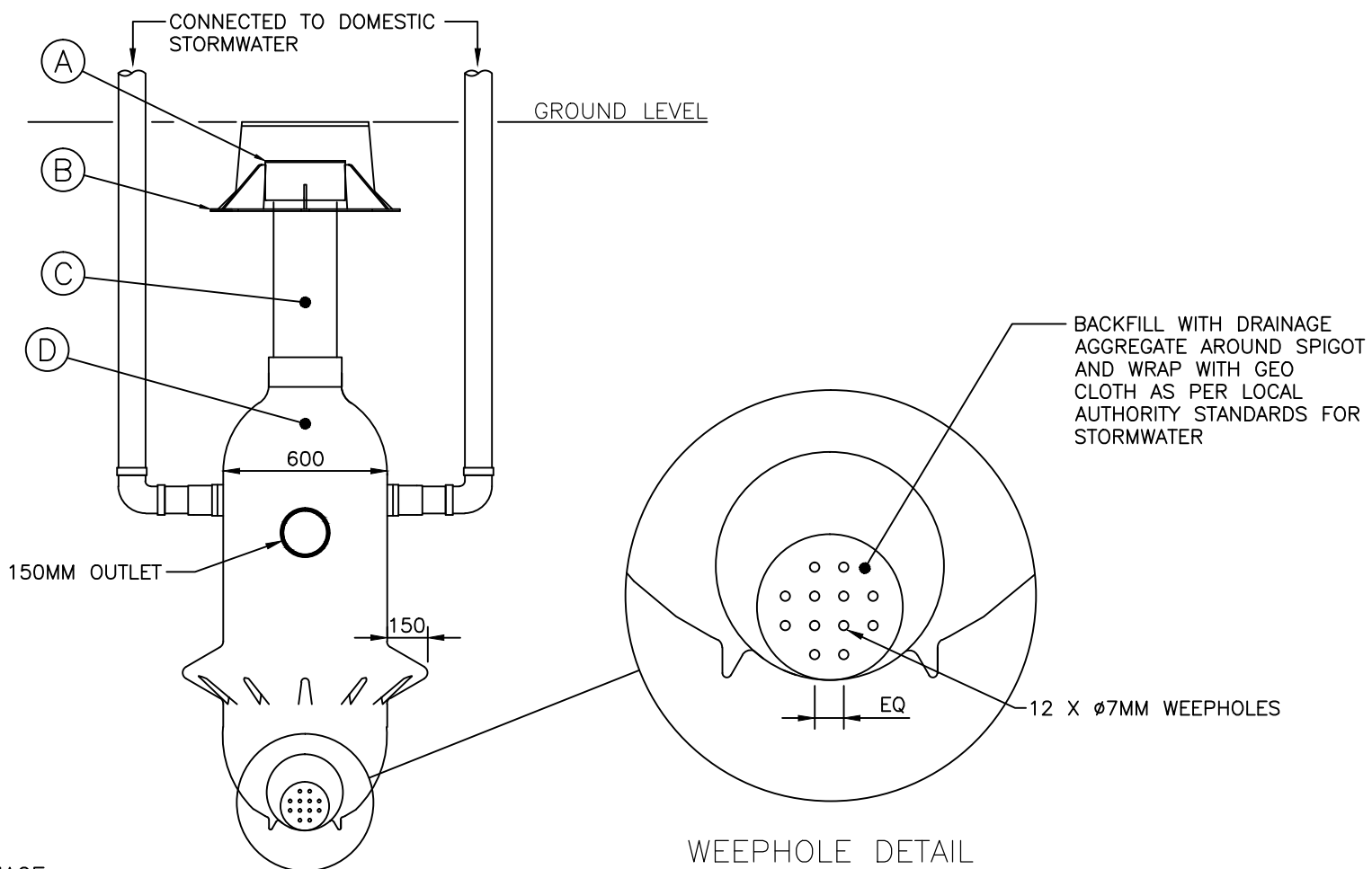
STORMWATER STICKER



SECTION 'B-B'



SIDE VIEW

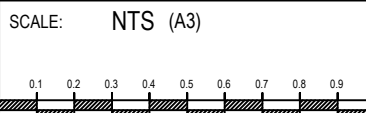


FRONT VIEW

WEEPHOLE DETAIL

© COPYRIGHT
THIS DOCUMENT IS AND SHALL REMAIN THE PROPERTY OF THE CITY OF SWAN. THE DOCUMENT MAY BE USED FOR THE PURPOSE FOR WHICH IT WAS COMMISSIONED AND IN ACCORDANCE WITH THE TERMS OF ENGAGEMENT FOR THE COMMISSION AS AGREED WITH THE CITY OF SWAN. UNAUTHORISED USE OF THIS DOCUMENT IN ANY WAY IS PROHIBITED.

APPROVED
[Signature]
DESIGN CO-ORDINATOR
DATE: 17.06.2021
DRAWN: AB CHECKED: YW



STORMWATER LOT CONNECTION

RESIDENTIAL - MODIFIED TYPE 8 WATER CORP DETAIL



OPERATIONS

DRAWING No:
STD 61

REV No:
0