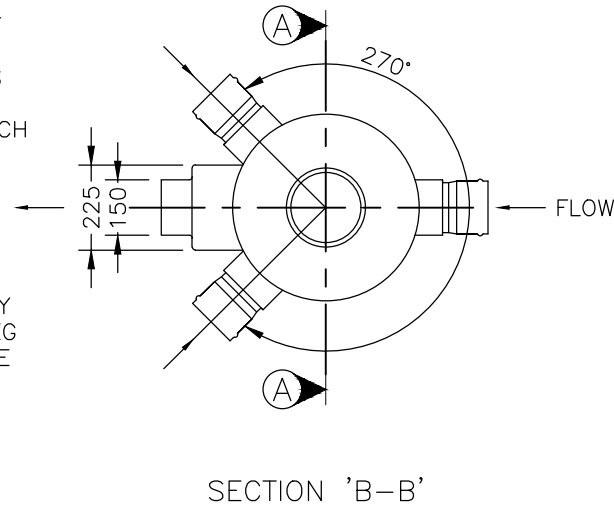


GRADE AND ANGLE OF UPSTREAM AND DOWNSTREAM LINES IS ACCOMMODATED IN CUSTOM BUILD OF EACH UNIT

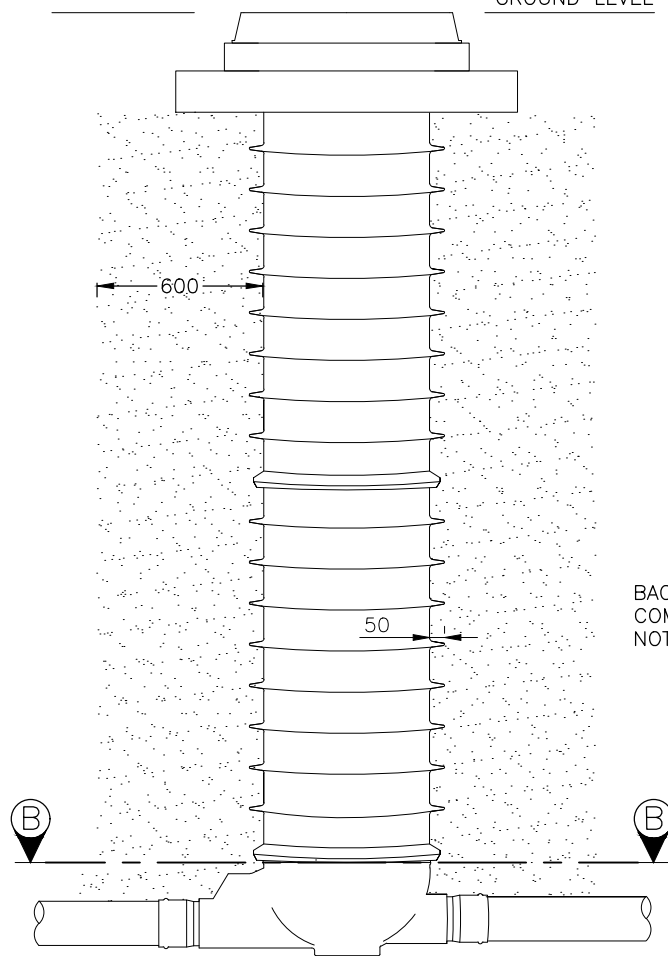
UPSTREAM LINES CAN BE POSITIONED AT ANY ANGLE BETWEEN 45DEG & 315 DEG FROM THE DOWNSTREAM FOR 150Ø LINES (SHOWN), AND BETWEEN 65DEG & 295DEG FOR 225Ø LINES



SECTION 'B-B'

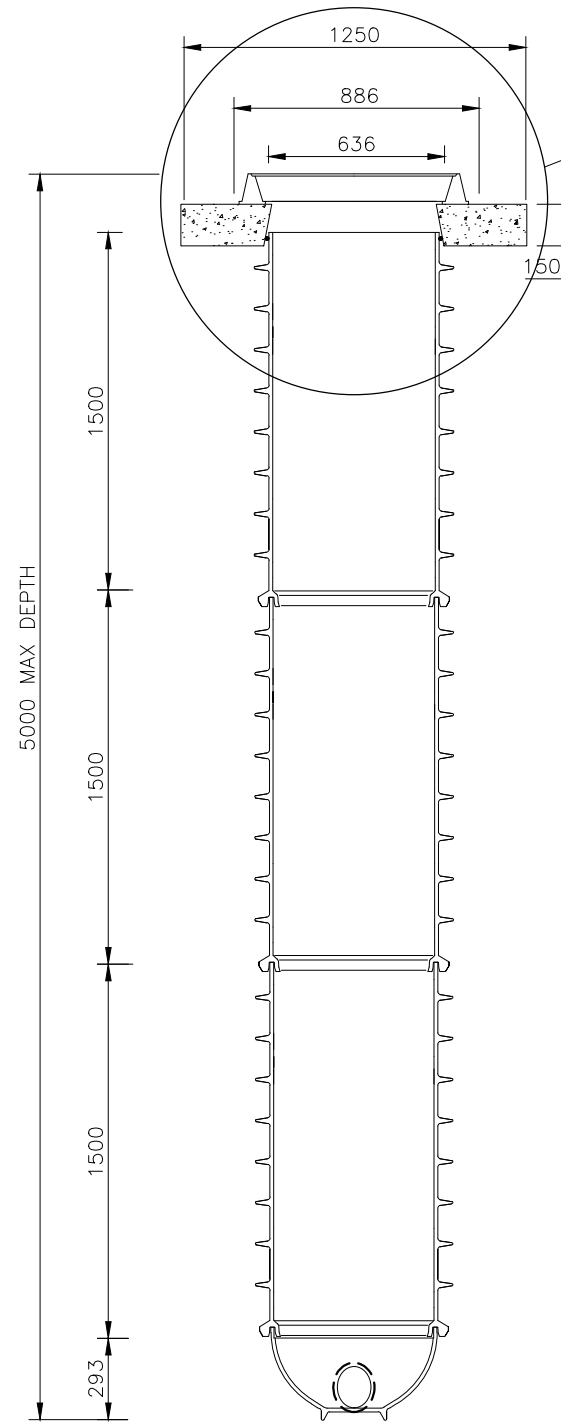
FLUSH FOR ESTABLISHED AREAS AND PAVEMENTS, 50 ELSEWHERE

GROUND LEVEL

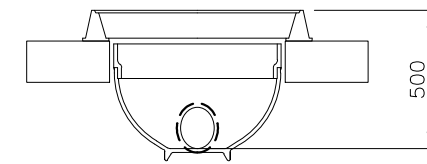
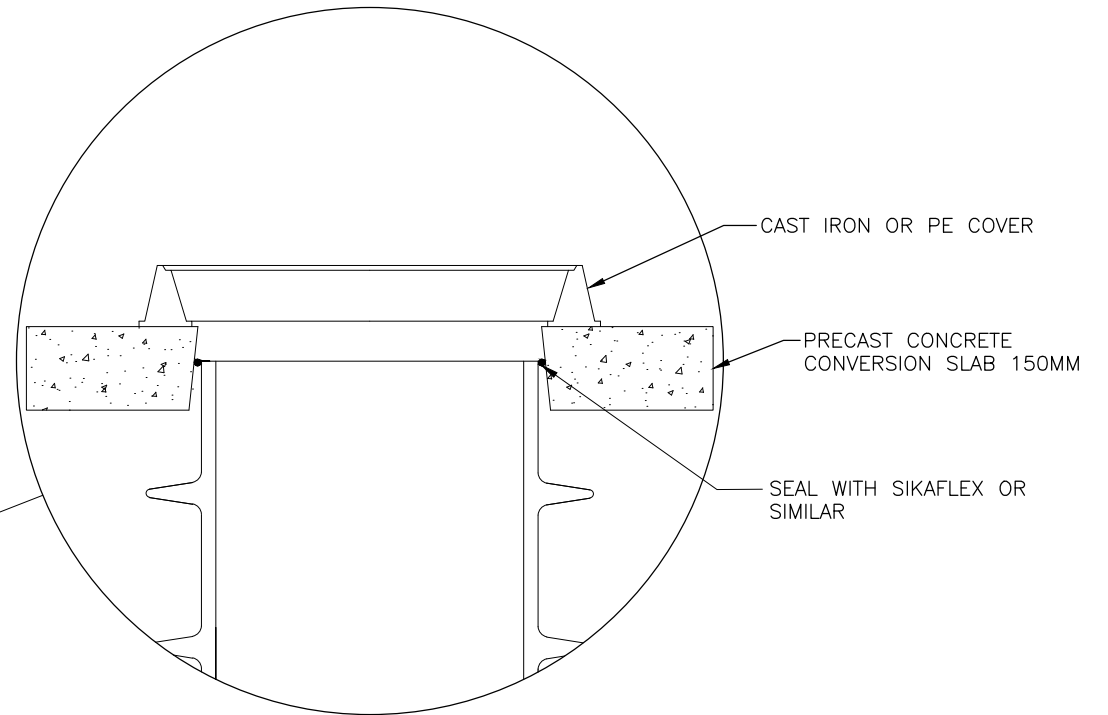


SIDE ELEVATION

BACKFILL AND COMPACTION SEE NOTES.



SECTION 'A-A'



MINIMUM HEIGHT

GENERAL NOTES

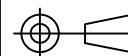
1. ALL DIMENSIONS ARE IN MILLIMETERS U.O.N.
2. CONCRETE SHALL BE GRADE N25.
3. CONVERSION SLAB AND ADJUSTMENT SEGMENTS TO BE SUPPLIED BY SAME MANUFACTURER AS LINER SEGMENTS.
4. CENTRE POINT OF ACCESS CHAMBER TO BE ON INTERSECTION POINT OF SEWERS.
5. ONLY ACCESS CHAMBERS AND COMPONENTS APPROVED BY LOCAL AUTHORITY TO BE USED.
6. THIS DRAWING IS AN EXAMPLE DRAWING. THE DETAILS OF SOME CHAMBERS MAY VARY FROM THOSE SHOW IN THE DRAWING.
7. PE WELDING TO BE CARRIED OUT BY ACCREDITED PERSONNEL ONLY (REFER TO MANUFACTURER FOR DETAILS).
8. BASE, LINERS AND REDUCER COMPONENTS ROTOMOULDED FROM MDPE 15MM WALL THICKNESS.
9. ACCESS CHAMBERS SHALL BE INSTALLED IN ACCORDANCE WITH MANUFACTURERS INSTRUCTIONS.
10. BACKFILL AND COMPACTION IN ACCORDANCE WITH LOCAL AUTHORITY GUIDELINES FOR DN150-DN600 GRAVITY SEWERS

ISSUE	DATE	REVISION	DRN	CHKD
D	19.10.20	UPDATED TO CURRENT DESIGN AND STANDARD	GK	??
C	31.07.18	UPDATED TO CURRENT STANDARDS	SF	WC
B	04.04.18	REVISED VIEW 'SECTION B-B'. MAX DEPTH UPDATED.	SF	BK

SMARTSTREAM TECHNOLOGY

This drawing is the property of SmartStream Technology and shall not be copied without permission.

DO NOT SCALE FROM DRAWING



SCALE: DIAGRAMMATIC

DRAWN BY: GK

DATE: 19.10.20

CHECKED BY: --

DATE: 19.10.20

ALL DIMENSIONS ARE IN MILLIMETERS

600mm MINI ACCESS CHAMBER
GENERAL INSTALLATION - TRAFFICABLE

DRAWING REF: SST-00056

SHEET : 1 OF 1

ISSUE : D

ORIGINAL SHEET SIZE

A3