

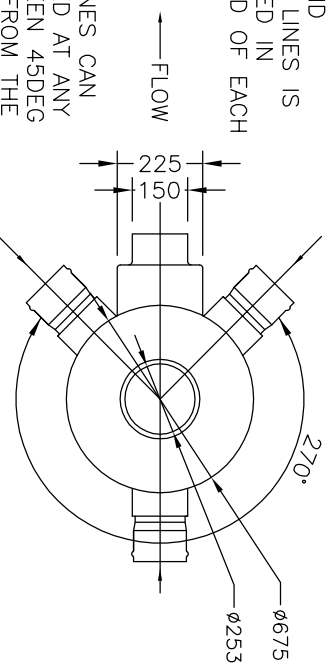
COMPONENTS

ITEM	DESCRIPTION	MATERIAL
A	VERTICAL RISER CAP	PVC
B	ACCESS COVER CLASS 'B' 'C' OR 'D'	VARIOUS
C	DN 225Ø PVC OR DN 250Ø PE RISER SHAFT	VARIOUS
D	VARIOUS FITTINGS AVAILABLE	VARIES
E	MAINTENANCE SHAFT BODY	MDPE (POLYETHYLENE)
F	225-150PVC OR 250-160PE DROP JUNCTION	VARIOUS
G	225-150PVC OR 250-160PE DROP JUNCTION	VARIOUS

GENERAL NOTES

1. ALL DIMENSIONS IN MM
2. MAINTENANCE SHAFTS CAN ACCOMMODATE MOST CONNECTION TYPES FOR 100 - 250MM PIPE, REFER TO MANUFACTURER FOR DETAILS.
3. BACKFILL AND COMPACT IN ACCORDANCE WITH LOCAL AUTHORITY INSTRUCTIONS FOR DN150-DN600 GRAVITY SEWERS
4. CONTRACTOR TO SUPPLY PIPE FROM MAINTENANCE SHAFT TO VERTICAL RISER CAP.
5. CLEARANCE BETWEEN THE VERTICAL RISER CAP AND THE UNDERNEATH OF THE COVER SHOULD BE 150MM

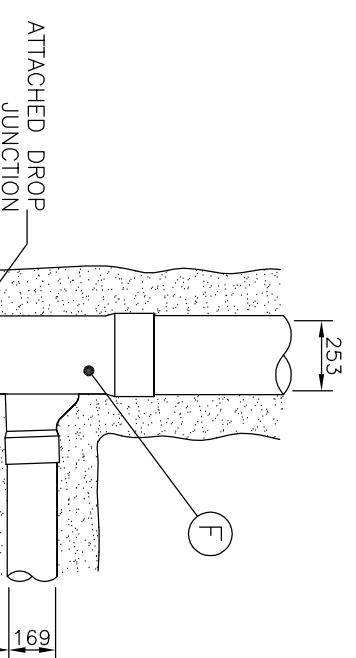
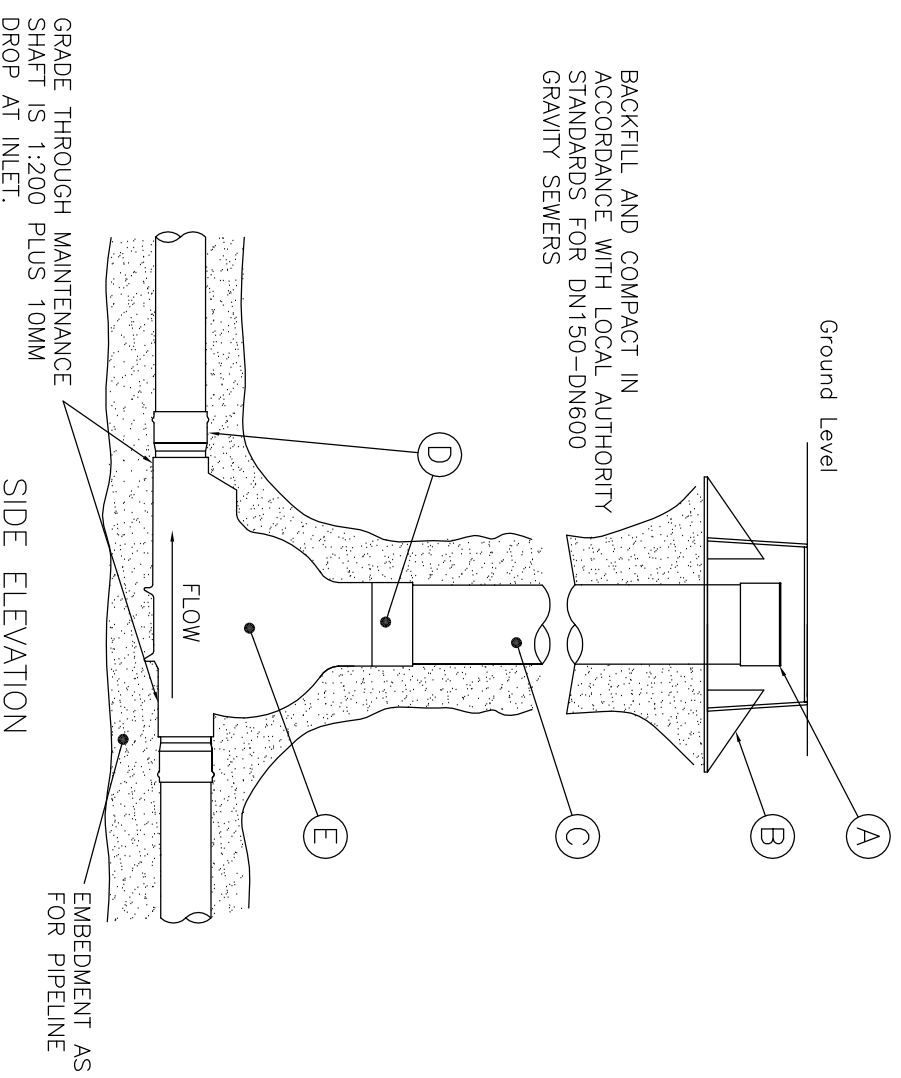
GRADE AND ANGLE OF UPSTREAM AND DOWNSTREAM LINES IS ACCOMMODATED IN CUSTOM BUILD OF EACH UNIT



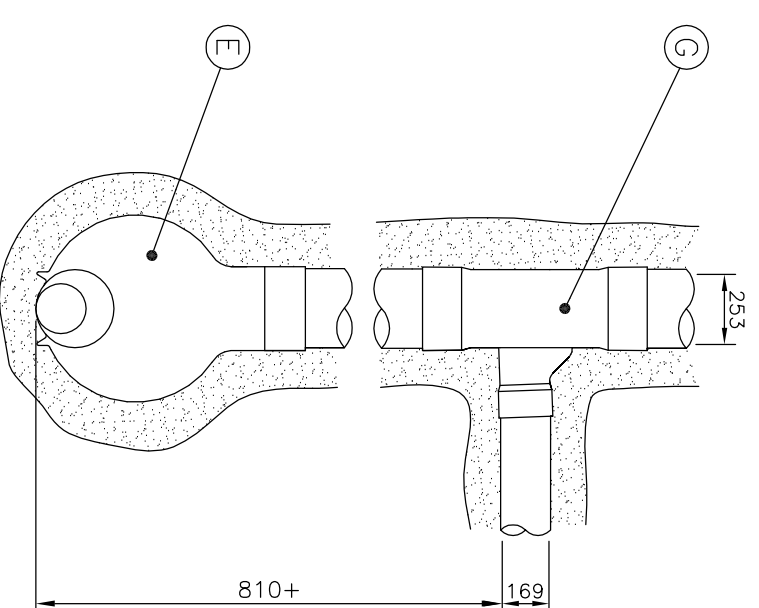
PLAN VIEW
(SHOWS RANGE OF UPSTREAM ANGLE)

UPSTREAM LINES CAN BE POSITIONED AT ANY ANGLE BETWEEN 45DEG & 315 DEG FROM THE DOWNSTREAM FOR 150 Ø LINES (SHOWN), AND BETWEEN 65DEG & 295DEG FOR 225Ø LINES

BACKFILL AND COMPACT IN ACCORDANCE WITH LOCAL AUTHORITY STANDARDS FOR DN150-DN600 GRAVITY SEWERS



ATTACHED



UNATTACHED

DROP JUNCTION TYPES

ISSUE	DATE	REVISION	DRN	CHKD	<p>SMARTSTREAM TECHNOLOGY</p> <p><small>This drawing is the property of SmartStream Technology and shall not be copied without permission.</small></p>									
					<table border="1" style="width: 100%; border-collapse: collapse;"> <tr> <td style="width: 30%;">DO NOT SCALE FROM DRAWING</td> <td style="width: 10%; text-align: center;"> </td> <td style="width: 60%;">DRAWN BY: LM</td> </tr> <tr> <td>SCALE: DIAGRAMMATIC</td> <td> </td> <td>CHECKED BY: BN</td> </tr> <tr> <td> </td> <td> </td> <td>DATE: 27.03.07</td> </tr> </table>	DO NOT SCALE FROM DRAWING		DRAWN BY: LM	SCALE: DIAGRAMMATIC		CHECKED BY: BN			DATE: 27.03.07
DO NOT SCALE FROM DRAWING		DRAWN BY: LM												
SCALE: DIAGRAMMATIC		CHECKED BY: BN												
		DATE: 27.03.07												
ALL DIMENSIONS ARE IN MILLIMETERS					<p>TYPE 8 MAINTENANCE SHAFT (POO-PT)</p> <p>GENERAL INSTALLATION</p>									
DRAWING REF: SST-00006-A					<p>DRAWING REF: SST-00006-A</p>									
SHEET : 1 OF 1					<p>ISSUE : A</p>									
ORIGINAL SHEET SIZE					<p>A3</p>									