

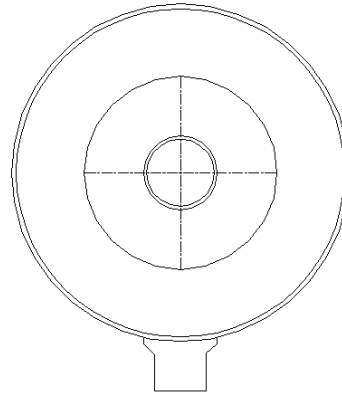
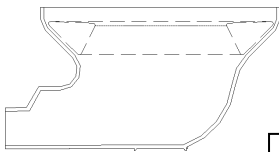
## SMART PIT

SWO No: \_\_\_\_\_

Contractor : .....	Order Number : .....
Job Location : .....	Date Required : .....
Contact Person : .....	Contact Number : .....

Top : Tapered <input type="checkbox"/> Flat <input type="checkbox"/> Spreader : Yes <input type="checkbox"/> No <input type="checkbox"/> Cover : Class 'B' <input type="checkbox"/> Class 'C' <input type="checkbox"/> Class 'D' <input type="checkbox"/> Rubber Seal : Yes <input type="checkbox"/> No <input type="checkbox"/> Bench : Yes <input type="checkbox"/> No <input type="checkbox"/> Drop : Internal <input type="checkbox"/> External <input type="checkbox"/> Steps : Yes <input type="checkbox"/> No <input type="checkbox"/> Qty : .....	Flex Seal / Bush Types: D/S 1 2 3 4 5	Pipe Size / Type: D/S 1 2 3 4 5
---	---	---

Manhole No.:



Downstream / Outlet

\_\_\_\_\_ ∅

Grade 1: \_\_\_\_\_

FSL : _____
Depth : _____ (Less Spreader & Cover)

Note  
 All angles are measured clockwise from downstream

Take-off By: \_\_\_\_\_

Checked By: \_\_\_\_\_

Drill Date : ..... Drilled By : ..... Checked By : ..... Welded By : ..... Pressure Test By : ..... Pressure Test Fail <input type="checkbox"/> Pass <input type="checkbox"/> Repaired <input type="checkbox"/> Re-Test <input type="checkbox"/>	Pre-Dispatch Checks By: Angle : ..... Grade : ..... Welds : ..... Finish : ..... Drop : .....
Customer Notified .....	