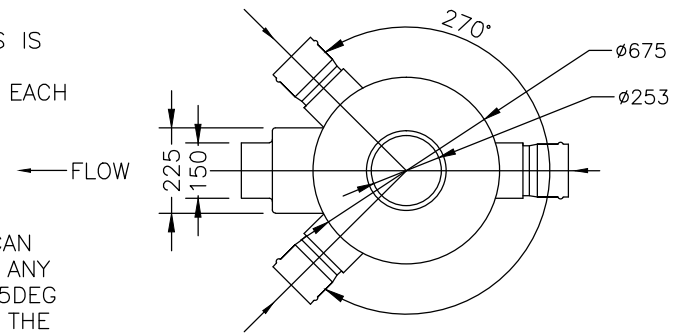


COMPONENTS

ITEM	DESCRIPTION	MATERIAL
A	VERTICAL RISER CAP	PVC
B	ACCESS COVER CLASS 'B' 'C' OR 'D'	VARIOUS
C	DN 225Ø PVC OR DN 250Ø PE RISER SHAFT	VARIOUS
D	VARIOUS FITTINGS AVAILABLE	VARIES
E	MAINTENANCE SHAFT BODY	MDPE (POLYETHYLENE)

GRADE AND ANGLE OF UPSTREAM AND DOWNSTREAM LINES IS ACCOMMODATED IN CUSTOM BUILD OF EACH UNIT



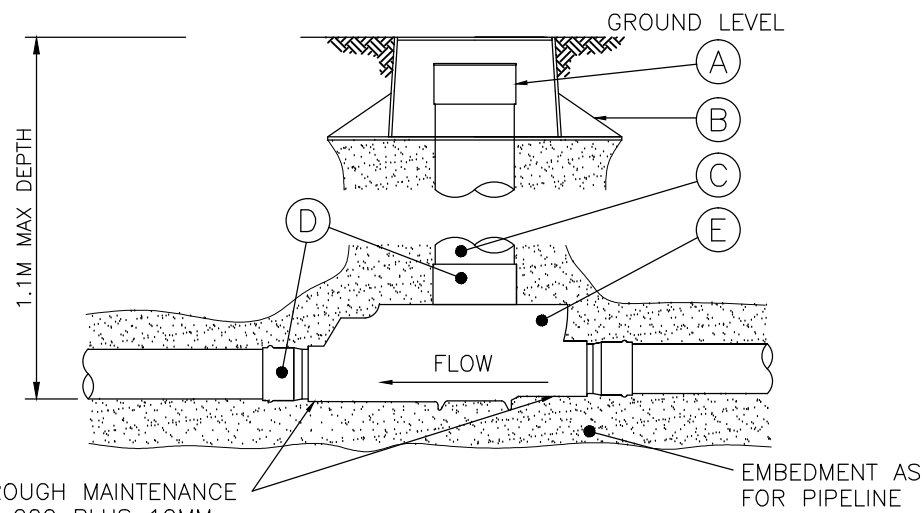
UPSTREAM LINES CAN BE POSITIONED AT ANY ANGLE BETWEEN 45DEG & 315 DEG FROM THE DOWNSTREAM FOR 150Ø LINES (SHOWN), AND BETWEEN 65DEG & 295DEG FOR 225Ø LINES

PLAN VIEW
(SHOWS RANGE OF UPSTREAM ANGLE)

GENERAL NOTES

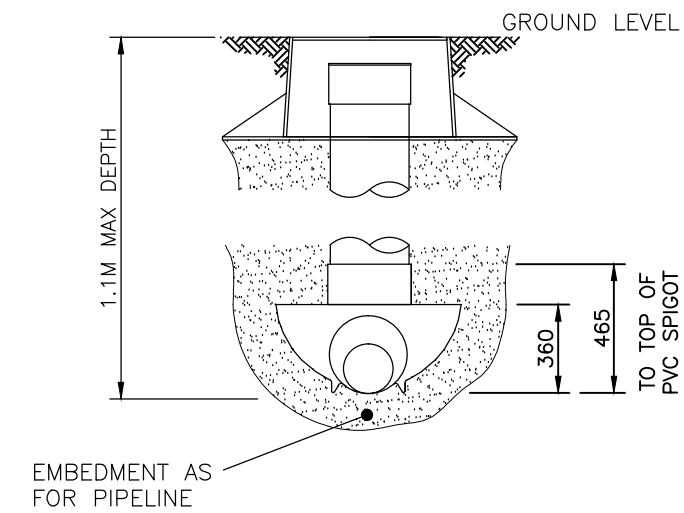
1. ALL DIMENSIONS IN MM
2. MAINTENANCE SHAFTS CAN ACCOMMODATE MOST CONNECTION TYPES FOR 100 – 250MM PIPE, REFER TO MANUFACTURER FOR DETAILS.
3. BACKFILL AND COMPACTION IN ACCORDANCE WITH LOCAL AUTHORITY INSTRUCTIONS FOR DN150–DN600 GRAVITY SEWERS
4. CONTRACTOR TO SUPPLY PIPE FROM MAINTENANCE SHAFT TO VERTICAL RISER CAP.
5. CLEARANCE BETWEEN THE VERTICAL RISER CAP AND THE UNDERNEATH OF THE COVER SHOULD BE 150MM
6. MAX INSTALLATION DEPTH 1.1M INVERT TO G.L.

BACKFILL AND COMPACT IN ACCORDANCE WITH LOCAL AUTHORITY STANDARDS FOR DN150–DN600 GRAVITY SEWERS



GRADE THROUGH MAINTENANCE SHAFT IS 1:200 PLUS 10MM DROP AT INLET.

SIDE VIEW



EMBEDMENT AS FOR PIPELINE

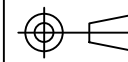
FRONT VIEW

ISSUE	DATE	REVISION	DRN	CHKD
B	18.02.16	UPDATED TO CURRENT SMARTSTREAM DRAWING FORMAT	SF	BK
A	26.04.08	ORIGINAL ISSUE	LM	BN

SMARTSTREAM TECHNOLOGY

This drawing is the property of SmartStream Technology and shall not be copied without permission.

DO NOT SCALE FROM DRAWING



SCALE : DIAGRAMMATIC

DRAWN BY: LM

DATE : 26.04.08

CHECKED BY: BN

DATE : 26.04.08

ALL DIMENSIONS ARE IN MILLIMETERS

LOW PROFILE, TYPE 8 MAINTENANCE SHAFT GENERAL INSTALLATION

DRAWING REF: SST-00014-A

SHEET : 1 OF 1

ISSUE : B

ORIGINAL SHEET SIZE

A3