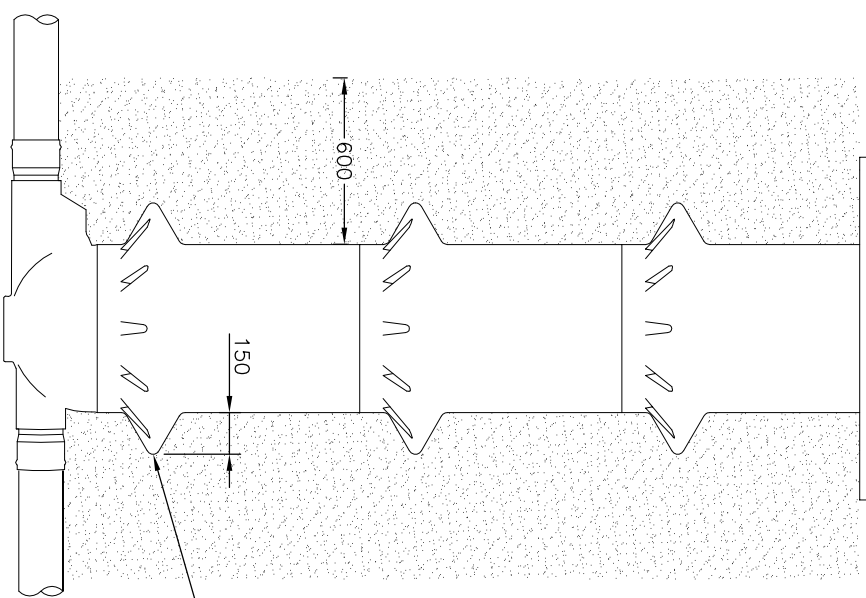


FLUSH FOR ESTABLISHED AREAS AND PAVEMENTS, 50 ELSEWHERE

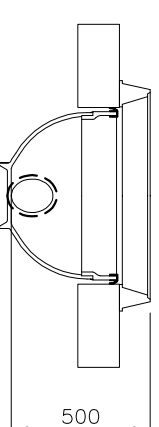
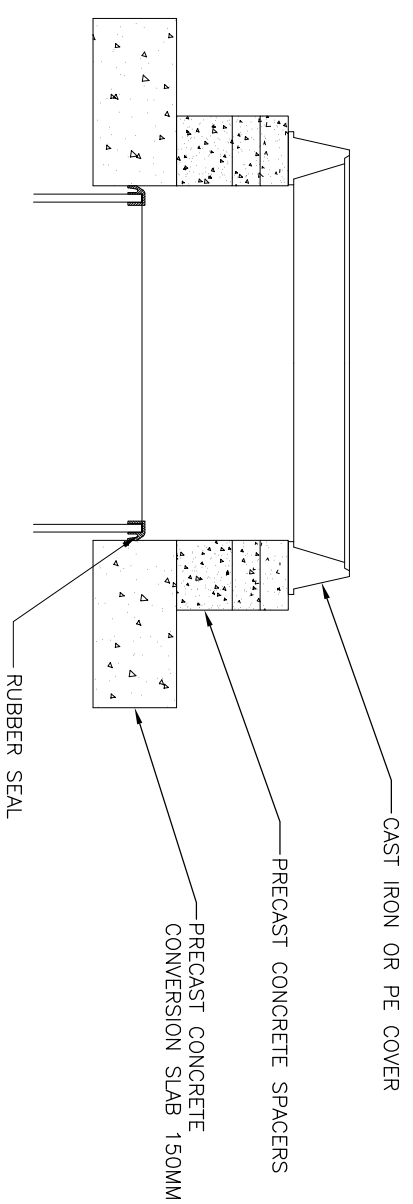
GROUND LEVEL



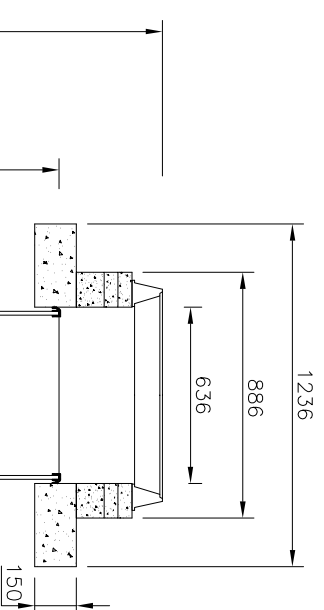
SIDE ELEVATION

BACKFILL AND COMPACTION SEE NOTES. COMPACT MINIMUM 600MM WIDTH AROUND SMARTPIT

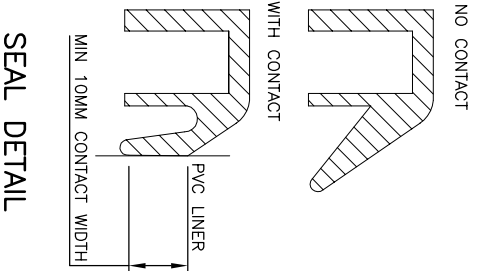
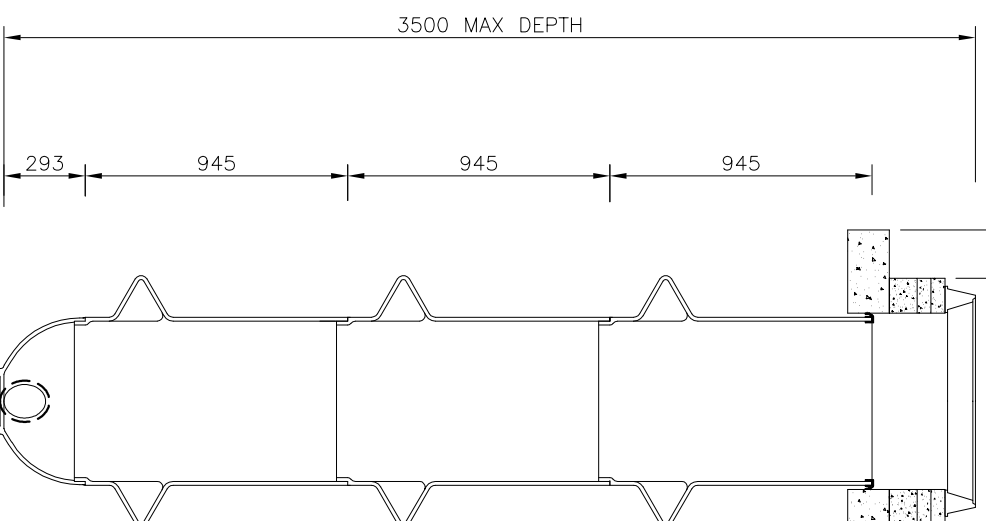
ANTI-FLOATATION RING



MINIMUM HEIGHT



SECTION 'A'-'A'



SEAL DETAIL

- GENERAL NOTES
1. ALL DIMENSIONS ARE IN MILLIMETERS U.O.N.
 2. CONCRETE SHALL BE GRADE N25.
 3. CONVERSION SLAB AND ADJUSTMENT SEGMENTS TO BE SUPPLIED BY SAME MANUFACTURER AS LINER SEGMENTS.
 4. CENTRE POINT OF ACCESS CHAMBER TO BE ON INTERSECTION POINT OF SEWERS.
 5. ONLY ACCESS CHAMBERS AND COMPONENTS APPROVED BY LOCAL AUTHORITY TO BE USED.
 6. THIS DRAWING IS AN EXAMPLE DRAWING. THE DETAILS OF SOME CHAMBERS MAY VARY FROM THOSE SHOW IN THE DRAWING.
 7. PE WELDING TO BE CARRIED OUT BY ACCREDITED PERSONNEL ONLY (REFER TO MANUFACTURER FOR DETAILS).
 8. BASE, LINERS AND REDUCER COMPONENTS ROTOMOLDED FROM MDPE 15MM WALL THICKNESS.
 9. ACCESS CHAMBERS SHALL BE INSTALLED IN ACCORDANCE WITH MANUFACTURERS INSTRUCTIONS, AND COMPACTION IN ACCORDANCE WITH LOCAL AUTHORITY.
 10. BACKFILL AND COMPACTION IN ACCORDANCE WITH LOCAL AUTHORITY GUIDELINES FOR DN150-DN600 GRAVITY SEWERS.

ISSUE	DATE	REVISION	DRN	CHKD	<p>SMARTSTREAM TECHNOLOGY</p> <p><i>This drawing is the property of SmartStream Technology and shall not be copied without permission.</i></p>	DO NOT SCALE FROM DRAWING		DRAWN BY: LM	DATE: 27.03.07	<p>600mm MINI ACCESS CHAMBER GENERAL INSTALLATION</p>	DRAWING REF: SST-00002-A	SHEET: 1 OF 1	ISSUE: A	<p>ORIGINAL SHEET SIZE A3</p>
						SCALE: DIAGRAMMATIC		CHECKED BY: BN	DATE: 27.03.07					