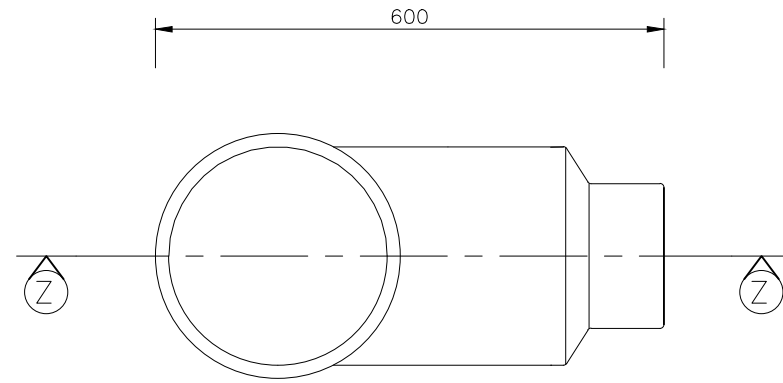
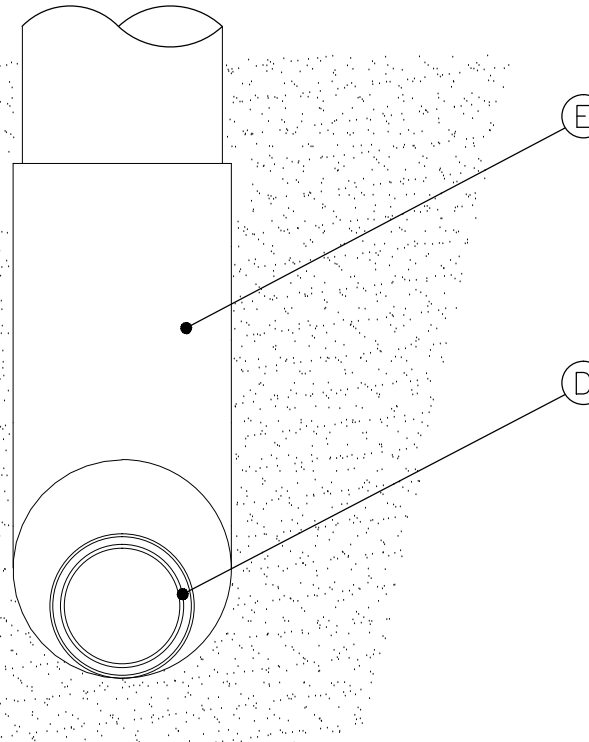
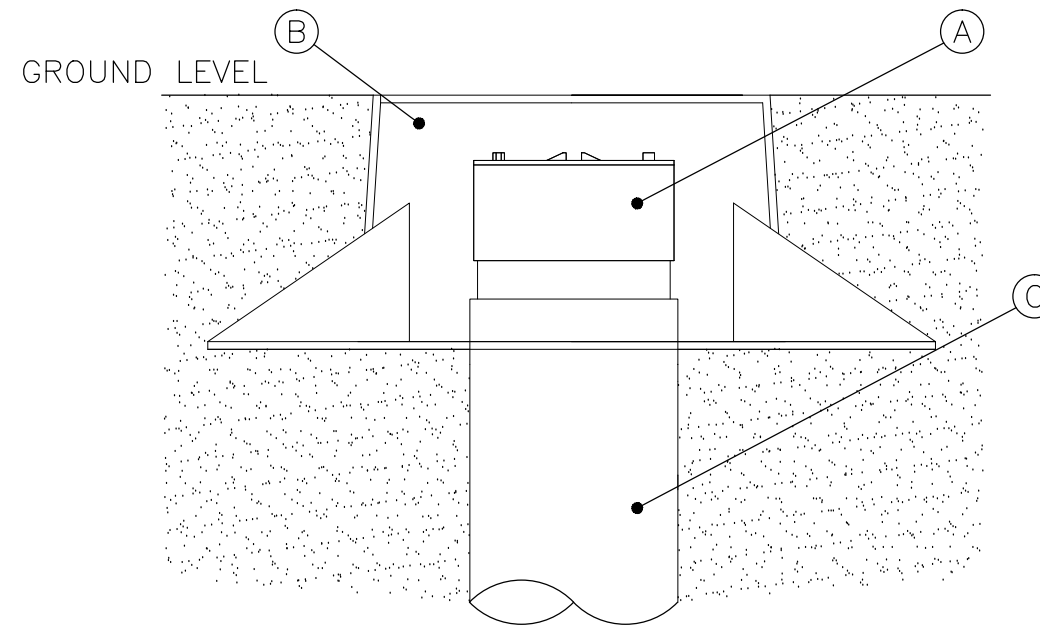


COMPONENTS

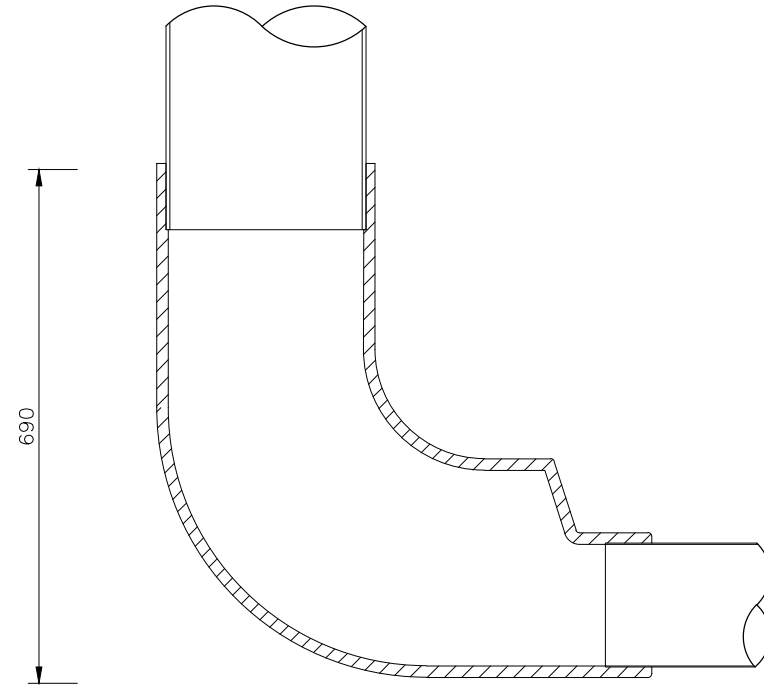
ITEM	DESCRIPTION	MATERIAL
A	VERTICAL RISER CAP	PVC
B	ACCESS COVER CLASS 'B' 'C' OR 'D'	VARIOUS
C	DN 225 ϕ PVC OR DN 250 ϕ PE RISER SHAFT	VARIOUS
D	VARIOUS FITTINGS AVAILABLE	VARIES
E	J PIT BODY	MDPE (POLYETHYLENE)



PLAN VIEW



FRONT VIEW



SECTION 'Z'

GENERAL NOTES

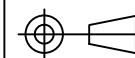
1. ALL DIMENSIONS IN MM
2. J PITS CAN ACCOMMODATE MOST CONNECTION TYPES FOR 100 – 250MM PIPE, REFER TO MANUFACTURER FOR DETAILS.
3. BACKFILL AND COMPACTION IN ACCORDANCE WITH LOCAL AUTHORITY INSTRUCTIONS FOR DN150–DN600 GRAVITY SEWERS
4. CONTRACTOR TO SUPPLY PIPE FROM J PIT TO VERTICAL RISER CAP.
5. CLEARANCE BETWEEN THE VERTICAL RISER CAP AND THE UNDERNEATH OF THE COVER SHOULD BE 150MM

ISSUE	DATE	REVISION	DRN	CHKD
B	18.02.16	UPDATED TO CURRENT SMARTSTREAM DRAWING FORMAT	SF	BK
A	16.9.2008	RELEASED FOR APPROVAL & PRODUCTION	JW	LM

SMARTSTREAM TECHNOLOGY

This drawing is the property of SmartStream Technology and shall not be copied without permission.

DO NOT SCALE FROM DRAWING



SCALE : NOT TO SCALE

DRAWN BY: JW

DATE : 16.09.2008

CHECKED BY: LM

DATE : 16.09.2008

ALL DIMENSIONS ARE IN MILLIMETERS

J PIT GENERAL INSTALLATION

DRAWING REF: SST-00016

SHEET : 1 OF 1

ISSUE : B

ORIGINAL SHEET SIZE

A3